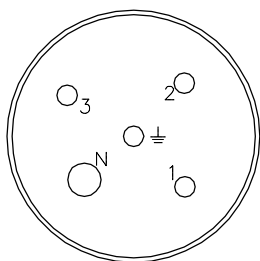


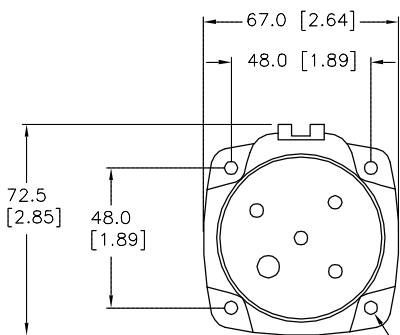
MALE END VIEW



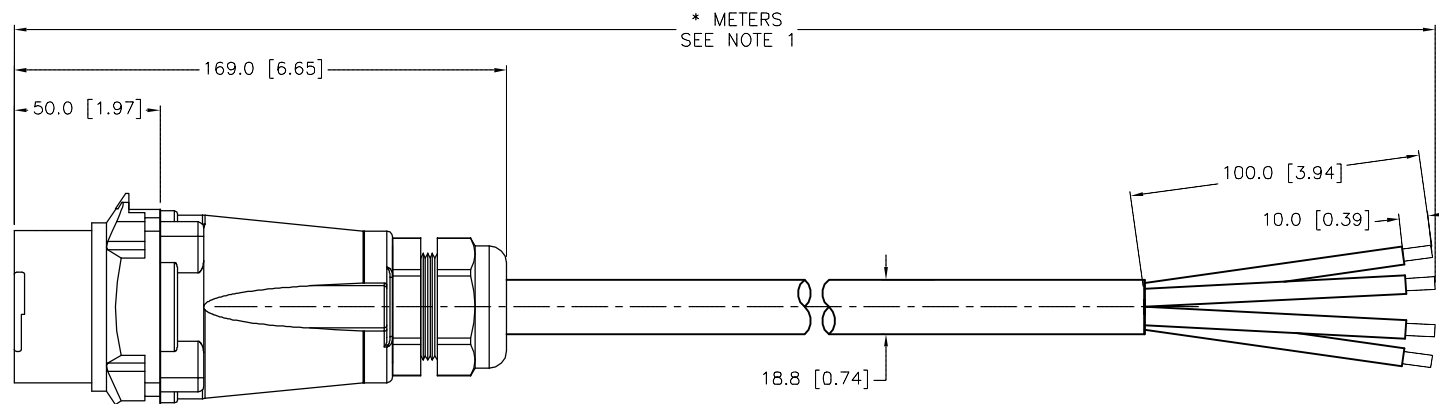
- 1 = BLACK
- 2 = RED
- 3 = WHITE
- ⊕ = GREEN/YELLOW

SPECIFICATIONS

HOUSING MATERIAL/COLOR	PBT/BLUE
CONTACT MATERIAL/PLATING	NICKEL/SILVER
RATED CURRENT [A]	30.0 A
RATED VOLTAGE/MAXIMUM VOLTAGE [VAC]	480 VAC/600 VAC
CABLE GLAND MATERIAL	NYLON/BUNA-N (CABLE GRIP)
CABLE JACKET MATERIAL/COLOR	TPE/BLACK
CONDUCTOR INSULATION MATERIAL	PVC
NUMBERS OF CONDUCTORS [AWG]	4x8 AWG
TEMPERATURE RATING	-40°C to +60°C (-40°F to +140°F)
PROTECTION CLASS	IEC IP66, IP67



4X ∅ 4.5 [∅0.18]



\* METERS  
SEE NOTE 1

SOURCE DRAWING - FOR REFERENCE ONLY

CABLE LENGTH	TOLERANCE*
ALL LENGTHS	+ 4% (OR 50mm) OF LENGTH - 0% (OR 0mm) OF LENGTH WHICHEVER IS GREATER
STRIP LENGTH	TOLERANCE*
0-7mm	±0.5mm
8-29mm	±1.0mm
30-49mm	±2.0mm
50-69mm	±3.0mm
70-100mm	±4.0mm
OVER 100mm	±5.0mm

\*UNLESS OTHERWISE SPECIFIED

RELATED DOCUMENTS 1. 2. 3. 4.	3RD ANGLE PROJECTION 	THIS DRAWING IS CONFIDENTIAL AND THE PROPERTY OF TURCK INC. USE OF THIS DOCUMENT WITHOUT WRITTEN PERMISSION IS PROHIBITED.		3000 CAMPUS DRIVE MINNEAPOLIS, MN 55441 1-800-544-7769 (763) 553-7300 (763) 553-0708 fax www.turck.us	
	MATERIAL  SEE SPECIFICATIONS	ALL DIMENSIONS DISPLAYED ON THIS DRAWING ARE FOR REFERENCE ONLY	DRFT NF APVD L.H.	DATE 07/09/15 SCALE 1=2.7	DESCRIPTION  LPS-3A-408-*
FINISH  SEE SPECIFICATIONS	CONTACT TURCK FOR MORE INFORMATION	UNIT OF MEASUREMENT <b>MILLIMETER [ INCH ]</b>		IDENTIFICATION NO.	REV B
DO NOT SCALE THIS DRAWING		FILE: 777035263		SHEET 1 OF 1	

B	UPDATE CONDUCTOR COLOR	NF	01/25/18	61098
REV	DESCRIPTION	BY	DATE	ECO NO.